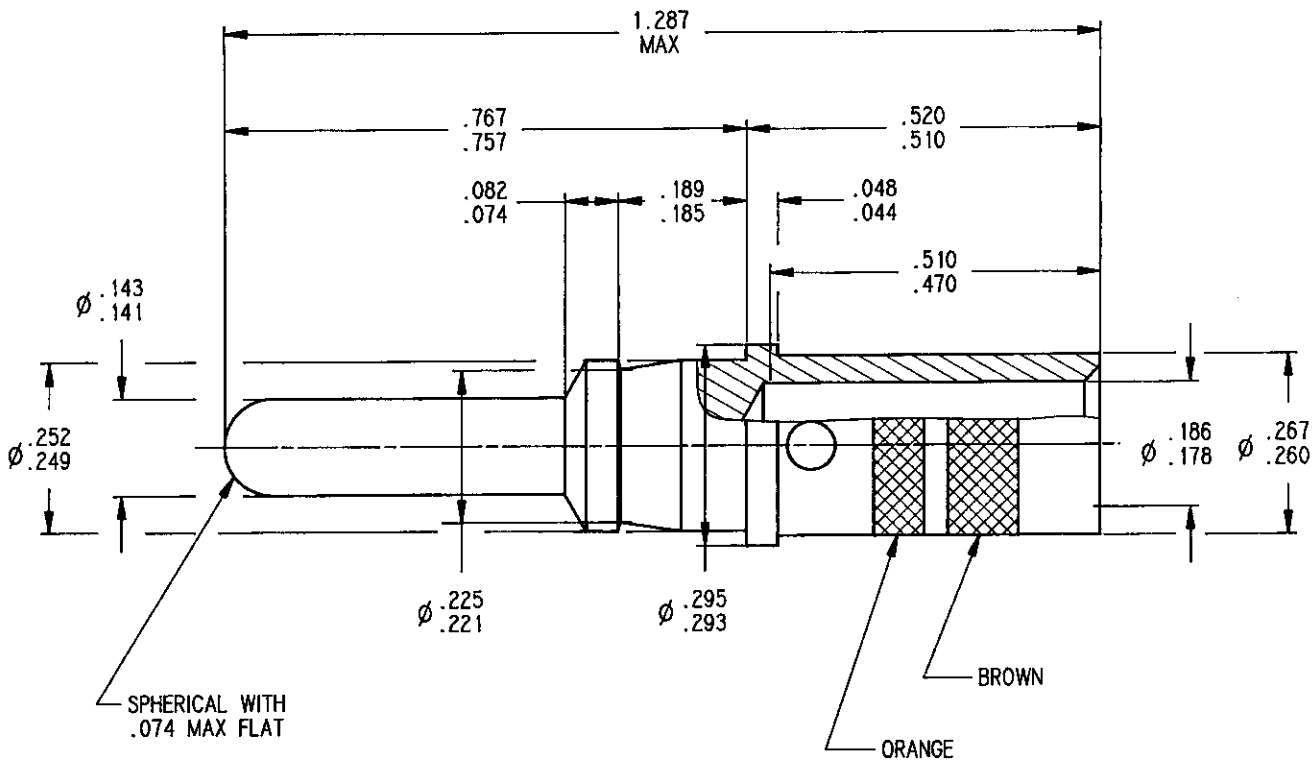


Séries  
BPX

SIZE 8 POWER PIN CONTACT  
BOEING P/N: S280W553\_1

Issue:  
23 DEC.92

Page  
1 / 1



MATERIAL  
BRASS PER QQ-B-626  
FINISH:  
GOLD PER MIL-G-45204, TYPE II, GRAD C, CLASS 1: 50 MICROINCHES OVER NICKEL PLATE PER QQ-N-290, CLASS 2  
CRIMPING TOOL : M22520/23-01  
DIE SET : M22520/23-02  
LOCATOR : M22520/23-09  
REMOVABLE : M81969/19-03  
STRIP LENGTH: .450

This information is given as an indication in the confitaxial goal to improve our products, we reserve the right to make any modifications judged necessary.

CREATION			
PEN: .			
EP: .			
Name: L FALETTI			
Date: 18 OCT.91	23.12.92	REDRAWN	JP MACARI
	Issue	Revisions	Name

4112\_92.12